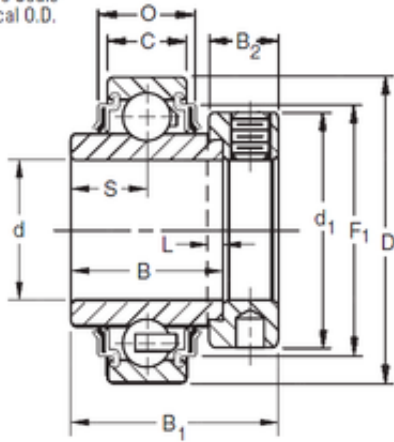




Bearing Power Machinery Co., Ltd.

KRR Two Seals
Cylindrical O.D.



Timken E40KRR deep groove ball bearings

Bearing No. E40KRR

Size	40x80x42.86 mm
Bore Diameter	40 mm
Outer Diameter	80 mm
Width	42,86 mm
d	40 mm
D	80 mm
B	42,86 mm
C	18 mm
P	19,28 mm
O	20,45 mm
d1	60,3 mm
B1	56,4 mm
B2	18,3 mm
L	4,8 mm
S	21,4 mm
F1	67,79 mm
Weight	0,739 Kg
Basic dynamic load rating (C)	36 kN

E40KRR Bearing 2D drawings and 3D CAD models