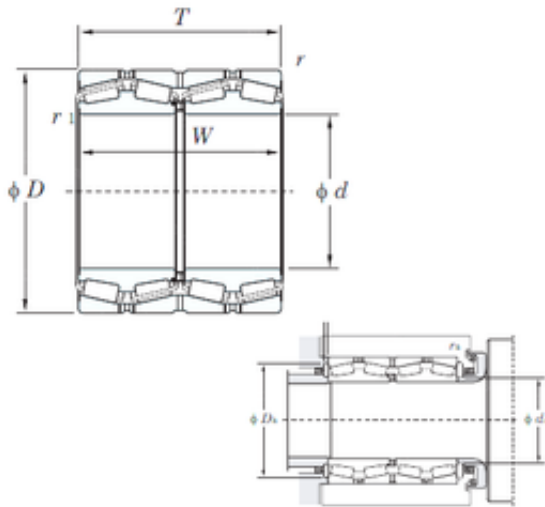




Bearing Power Machinery Co., Ltd.



37244 Bearing 2D drawings and 3D CAD models

KOYO 37244 tapered roller bearings

Bearing No. 37244

Size	220x310x226 mm
Bore Diameter	220 mm
Outer Diameter	310 mm
Width	226 mm
d	220 mm
D	310 mm
T	226 mm
r min.	3 mm
r1 min.	4 mm
S	6 mm
W	226 mm
da min.	241.6 mm
Da min	286 mm
Da max.	296 mm
ra max.	2.5 mm
rb max.	3 mm
Weight	51.3 Kg
Basic dynamic load rating (C)	1690 kN
Basic static load rating (C0)	3880 kN
Calculation factor (e)	2.03
Calculation factor (Y0)	0.33
Bearing No.	37244
r	3
Cr	1810
C0r	3880
Cu	425



Bearing Power Machinery Co., Ltd.

r1	4
da(max)	242
Da(max)	296
Da(min)	285
S(min)	6
ra(max)	2.5
rb(max)	3
Y2	2.03
Y3	3.02
Y0	1.98
e	0.33
(Refer.)Mass(kg)	52